

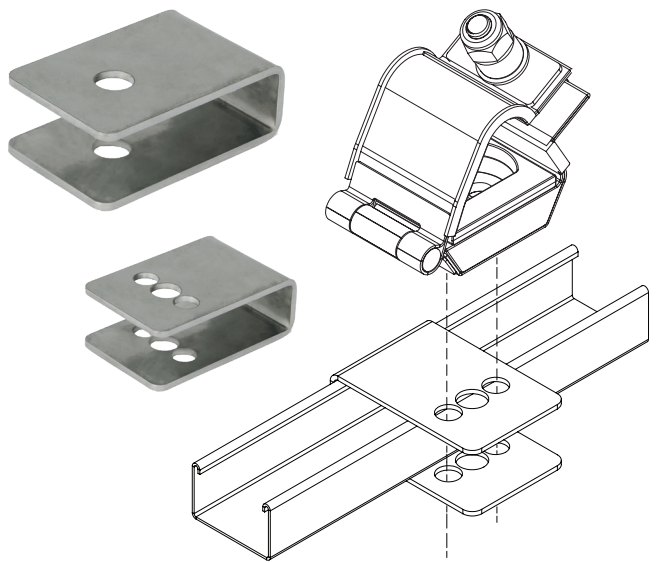
C-CLAMPS

The CMP C-Clamp is designed to be used with all plain or continuous ladder rungs, struts, or channel mounting frame which have no mounting slots or holes provided allowing for ease of cable cleat mounting.

The C-Clamp is manufactured from 316L Stainless Steel, and is supplied in various sizes to suit all CMP cable cleats. The C-Clamps have been extensively tested during short circuit conditions as specified in IEC 61914 'cable cleats for electrical installations'.

The product is supplied as a complete fixing pack which includes fixing bolt, C-Clamp spacer, washers and nyloc nut.

CMP is also able to manufacture bespoke C-Clamps to suit installation requirements. If a bespoke C-Clamp is required, the width (W) and height (H) of the rung is required from the customer.

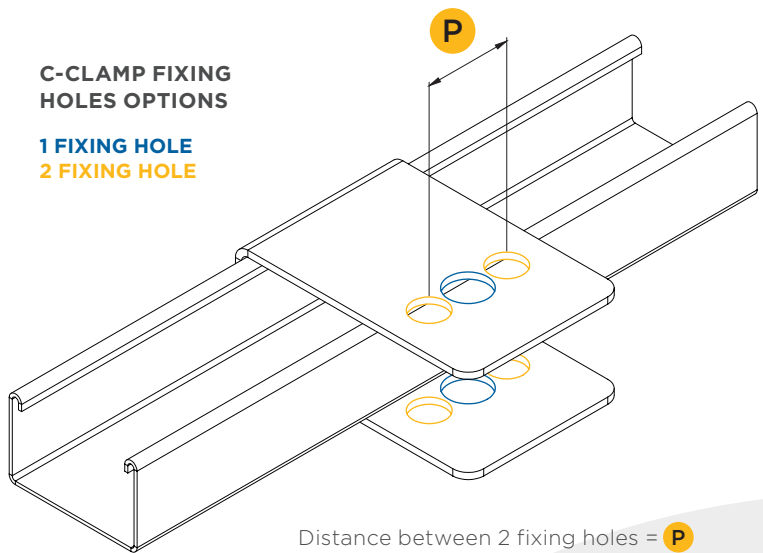


TECHNICAL DATA & CLASSIFICATION	
TYPE	6.1.1 Metallic C-Clamp
DESIGN SPECIFICATION	IEC 61914
MATERIAL	316L Stainless Steel

CLEAT IDENTIFICATION	
FIXING TYPE	NAME
1 BC RANGE	Sabre
	Valiant
	Solace
	Helios
1 BOLT FIXING HOLE	Cyclone I / II / III
	Patriot
	Sovereign
	Conqueror
	Huron
	Reliance
	Sapphire
2 BOLT FIXING HOLE	Cyclone I / II / III
	Patriot
	Sovereign
	Conqueror
	Huron
	Reliance
2 BC RANGE	Sapphire
	Falcon
	Zenith
	Themis

C-CLAMP FIXING HOLES OPTIONS

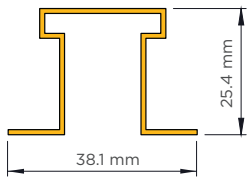
- 1 FIXING HOLE
- 2 FIXING HOLE



Distance between 2 fixing holes = P

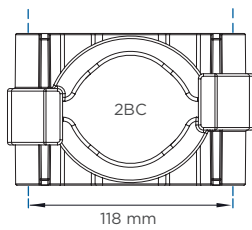
HOW TO ORDER

1. Identify ladder type and size. (refer to line drawings in section below).



2a. Identify cleat fixing type and bolt size for 1BC or any 1 Bolt Fixing Hole. Identify pitch for 2BC or 2 Bolt Fixing Hole.

2b. Cross reference cleat and ladder to find order code.



1. LADDER / STRUT / MOUNTING SURFACE DIMENSIONS

		CFP-CC-A	CFP-CC-B	CFP-CC-C	CFP-CC-D	CFP-CC-E	CFP-CC-F
HEIGHT	INCHES	1/2"	1"	1"	3/4"	1"	1"
	MM	12.7	25.4	25.4	19.05	25.4	25.4
WIDTH	INCHES	1-1/2"	1-5/8"	1-1/2"	25/32"	1"	1-1/8"
	MM	38.1	41.275	38.1	19.84	25.4	28.6

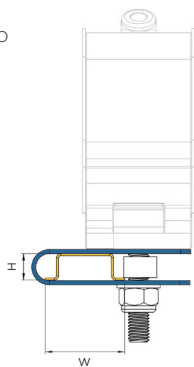
Ladder types shown are typical examples, if you have a different type please contact CMP directly. Bespoke sizes available on request.

2. C - CLAMP PRODUCT CODES

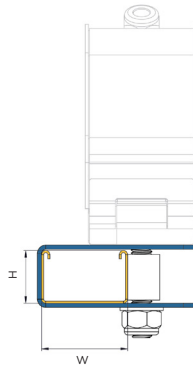
FIXING TYPE	BOLT SIZE	PITCH	RANGE	CFP-CC-A	CFP-CC-B	CFP-CC-C	CFP-CC-D	CFP-CC-E	CFP-CC-F
1 BOLT FIXING HOLE	M10	-	-	CFP-CC-A-M10	CFP-CC-B-M10	CFP-CC-C-M10	CFP-CC-D-M10	CFP-CC-E-M10	CFP-CC-F-M10
	M12	-	-	CFP-CC-A-M12	CFP-CC-B-M12	CFP-CC-C-M12	CFP-CC-D-M12	CFP-CC-E-M12	CFP-CC-F-M12
2 BOLT FIXING HOLES	M10	P = 25	-	CFP-CC-A-25	CFP-CC-B-25	CFP-CC-C-25	CFP-CC-D-25	CFP-CC-E-25	CFP-CC-F-25
		P = 50	-	CFP-CC-A-50	CFP-CC-B-50	CFP-CC-C-50	CFP-CC-D-50	CFP-CC-E-50	CFP-CC-F-50
		P = 75	-	CFP-CC-A-75	CFP-CC-B-75	CFP-CC-C-75	CFP-CC-D-75	CFP-CC-E-75	CFP-CC-F-75
1BC RANGE	M10	-	10-23	CFP-CC-A-1BC1023	CFP-CC-B-1BC1023	CFP-CC-C-1BC1023	CFP-CC-D-1BC1023	CFP-CC-E-1BC1023	CFP-CC-F-1BC1023
		-	23-38	CFP-CC-A-1BC2338	CFP-CC-B-1BC2338	CFP-CC-C-1BC2338	CFP-CC-D-1BC2338	CFP-CC-E-1BC2338	CFP-CC-F-1BC2338
		-	38-58	CFP-CC-A-1BC3858	CFP-CC-B-1BC3858	CFP-CC-C-1BC3858	CFP-CC-D-1BC3858	CFP-CC-E-1BC3858	CFP-CC-F-1BC3858
		-	58-71	CFP-CC-A-1BC5871	CFP-CC-B-1BC5871	CFP-CC-C-1BC5871	CFP-CC-D-1BC5871	CFP-CC-E-1BC5871	CFP-CC-F-1BC5871
2BC RANGE	M10	P = 67	38-48	CFP-CC-A-67	CFP-CC-B-67	CFP-CC-C-67	CFP-CC-D-67	CFP-CC-E-67	CFP-CC-F-67
		P = 78	48-58	CFP-CC-A-78	CFP-CC-B-78	CFP-CC-C-78	CFP-CC-D-78	CFP-CC-E-78	CFP-CC-F-78
		P = 90	58-70	CFP-CC-A-90	CFP-CC-B-90	CFP-CC-C-90	CFP-CC-D-90	CFP-CC-E-90	CFP-CC-F-90
		P = 104	70-83	CFP-CC-A-104	CFP-CC-B-104	CFP-CC-C-104	CFP-CC-D-104	CFP-CC-E-104	CFP-CC-F-104
		P = 118	83-97	CFP-CC-A-118	CFP-CC-B-118	CFP-CC-C-118	CFP-CC-D-118	CFP-CC-E-118	CFP-CC-F-118
		P = 131	96-109	CFP-CC-A-131	CFP-CC-B-131	CFP-CC-C-131	CFP-CC-D-131	CFP-CC-E-131	CFP-CC-F-131
		P = 143	106-120	CFP-CC-A-143	CFP-CC-B-143	CFP-CC-C-143	CFP-CC-D-143	CFP-CC-E-143	CFP-CC-F-143
		P = 158	120-135	CFP-CC-A-158	CFP-CC-B-158	CFP-CC-C-158	CFP-CC-D-158	CFP-CC-E-158	CFP-CC-F-158
P = 172	135-151	CFP-CC-A-172	CFP-CC-B-172	CFP-CC-C-172	CFP-CC-D-172	CFP-CC-E-172	CFP-CC-F-172		

LADDER TYPE

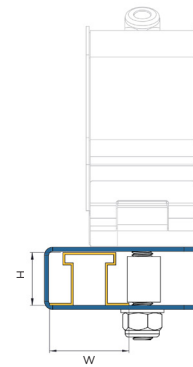
- Ladder
- C - Clamp



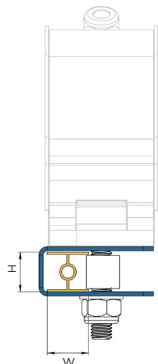
CFP-CC-A



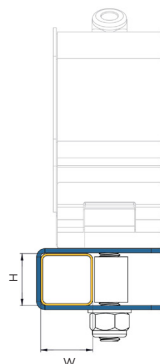
CFP-CC-B



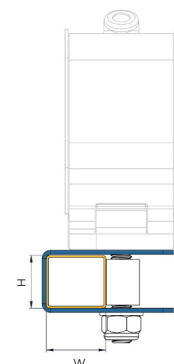
CFP-CC-C



CFP-CC-D



CFP-CC-E



CFP-CC-F